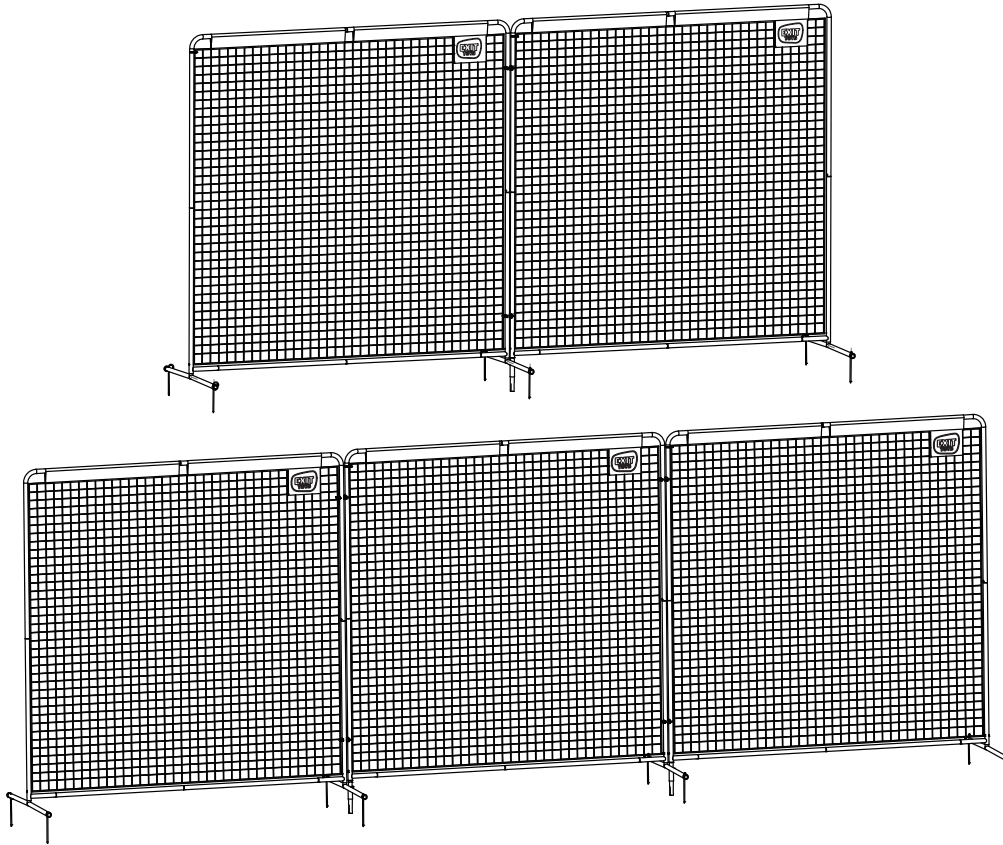




# Sports

EXIT Backstop Net PVC Free

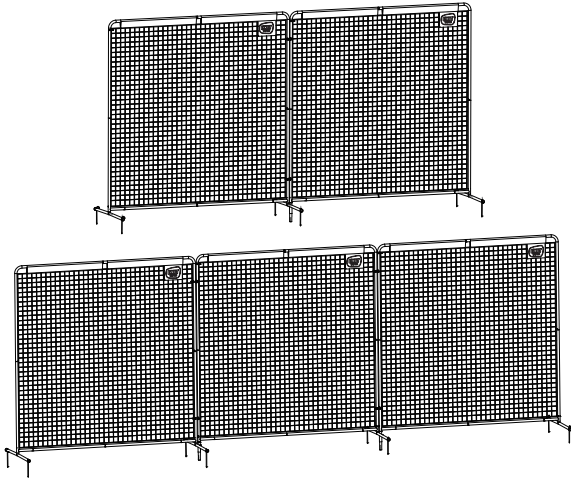


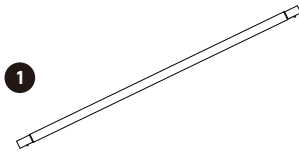
 **WARNING**  
CHOKING HAZARD  
small parts  
Adult assembly required  
retain for future reference



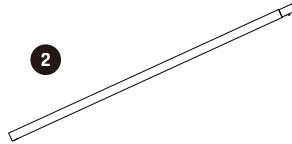


## EXIT Backstop Net PVC Free





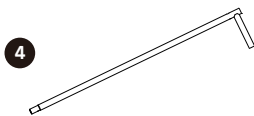
Net 600	69.49.60.01	<b>4X</b> *
Net 900	69.49.60.01	<b>6X</b>



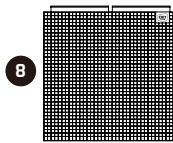
Net 600	69.49.60.02	<b>4X</b>
Net 900	69.49.60.02	<b>6X</b>



Net 600	69.49.60.03	<b>4X</b>
Net 900	69.49.60.03	<b>6X</b>



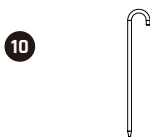
Net 600	69.49.60.04	<b>4X</b>
Net 900	69.49.60.04	<b>6X</b>



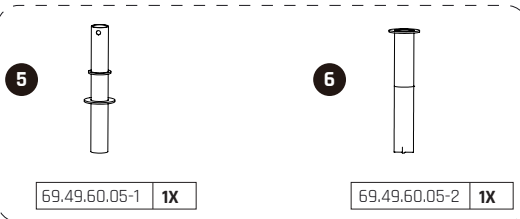
Net 600	69.49.60.00	<b>2X</b>
Net 900	69.49.60.00	<b>3X</b>



Net 600	69.49.60.09	<b>86X</b>
Net 900	69.49.60.09	<b>129X</b>



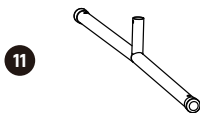
Net 600	69.49.60.10	<b>6X</b>
Net 900	69.49.60.10	<b>8X</b>



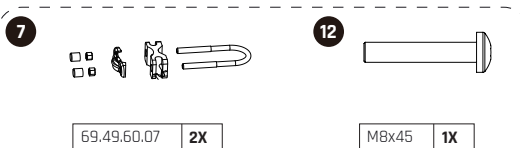
69.49.60.05-1 **1X**

69.49.60.05-2 **1X**

Net 600	69.49.60.05	<b>1X</b>
Net 900	69.49.60.05	<b>2X</b>

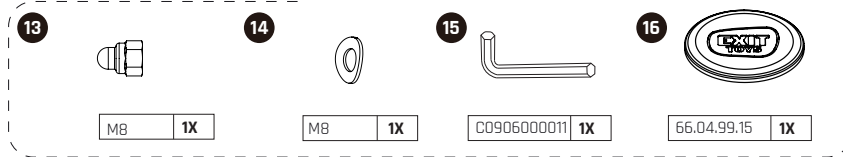


Net 600	69.49.60.11	<b>3X</b>
Net 900	69.49.60.11	<b>4X</b>



69.49.60.07 **2X**

M8x45 **1X**



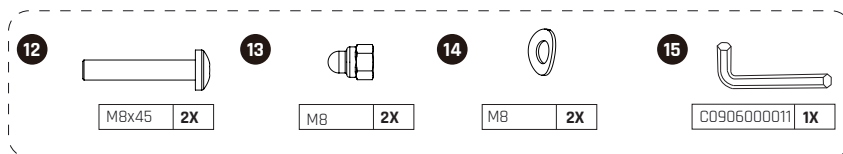
M8 **1X**

M8 **1X**

C0906000011 **1X**

66.04.99.15 **1X**

Net 600	69.49.60.20	<b>1X</b>
Net 900	69.49.60.20	<b>2X</b>



M8x45 **2X**

M8 **2X**

M8 **2X**

C0906000011 **1X**

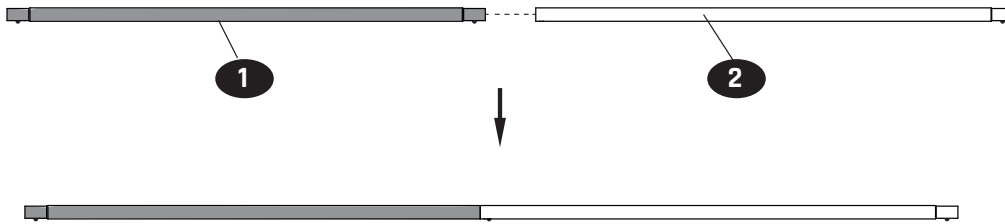
Net 600	69.49.60.12	<b>1X</b>
---------	-------------	-----------

BOX REFERENCE:	XX.XX
PRODUCTION ID:	XXX XXX



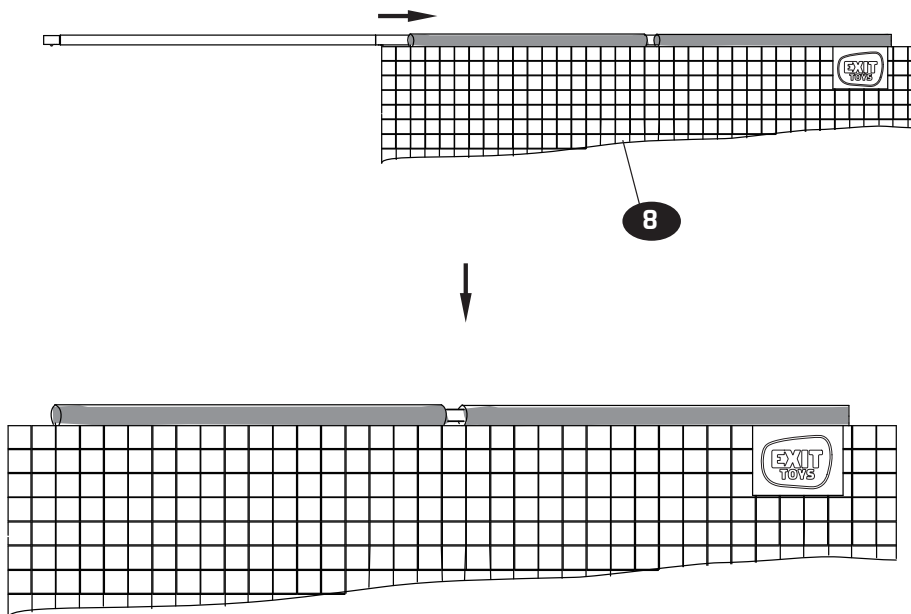
**1**

Part.Nr.	net 600	net 900
1	4	6
2	4	6



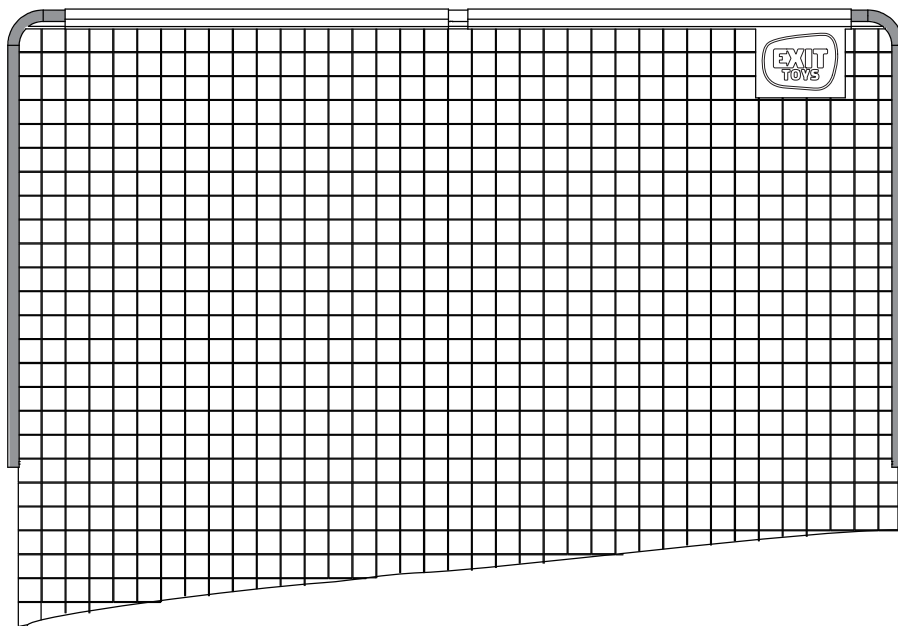
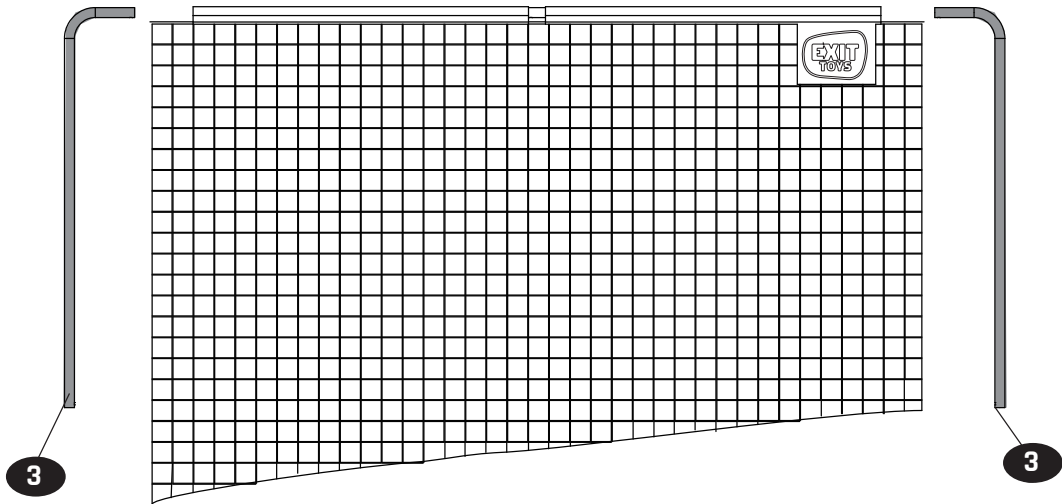
**2**

Part.Nr.	net 600	net 900
8	2	3



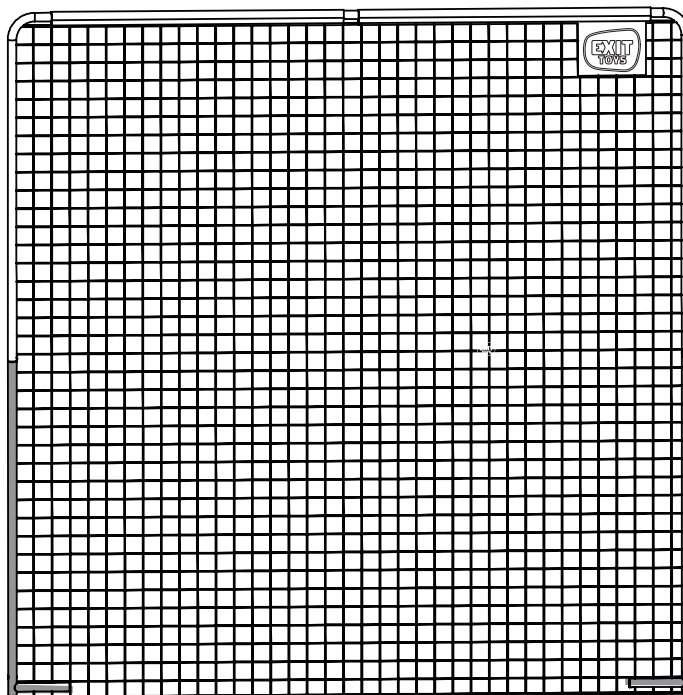
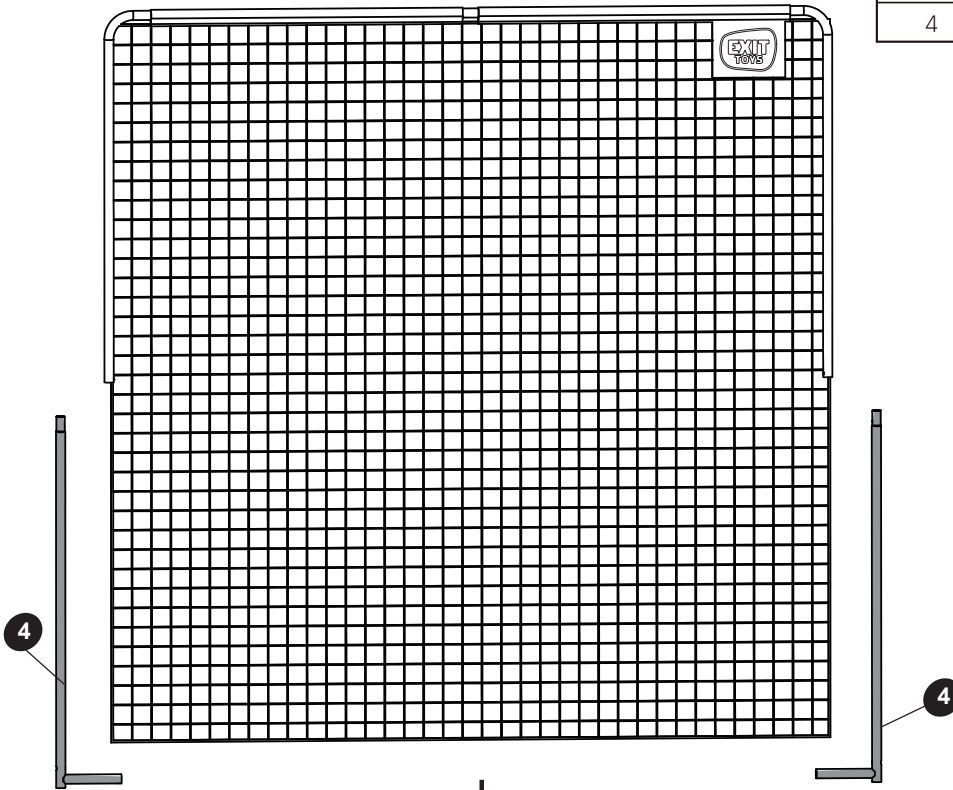
3

Part.Nr.	net 600	net 900
3	4	6

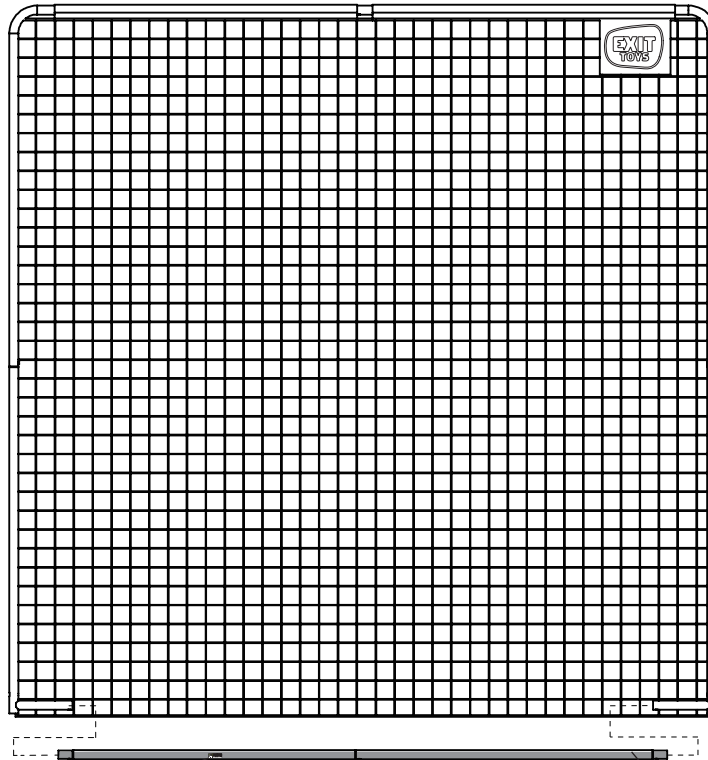



**4**

Part.Nr.	net 600	net 900
4	4	6



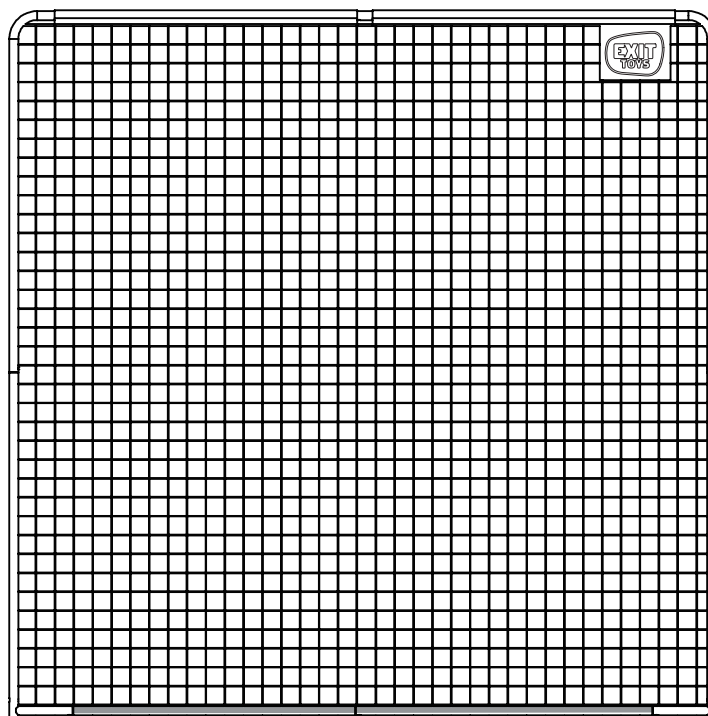
5



	ITEM REFERENCE:	
	PRODUCTION ID:	

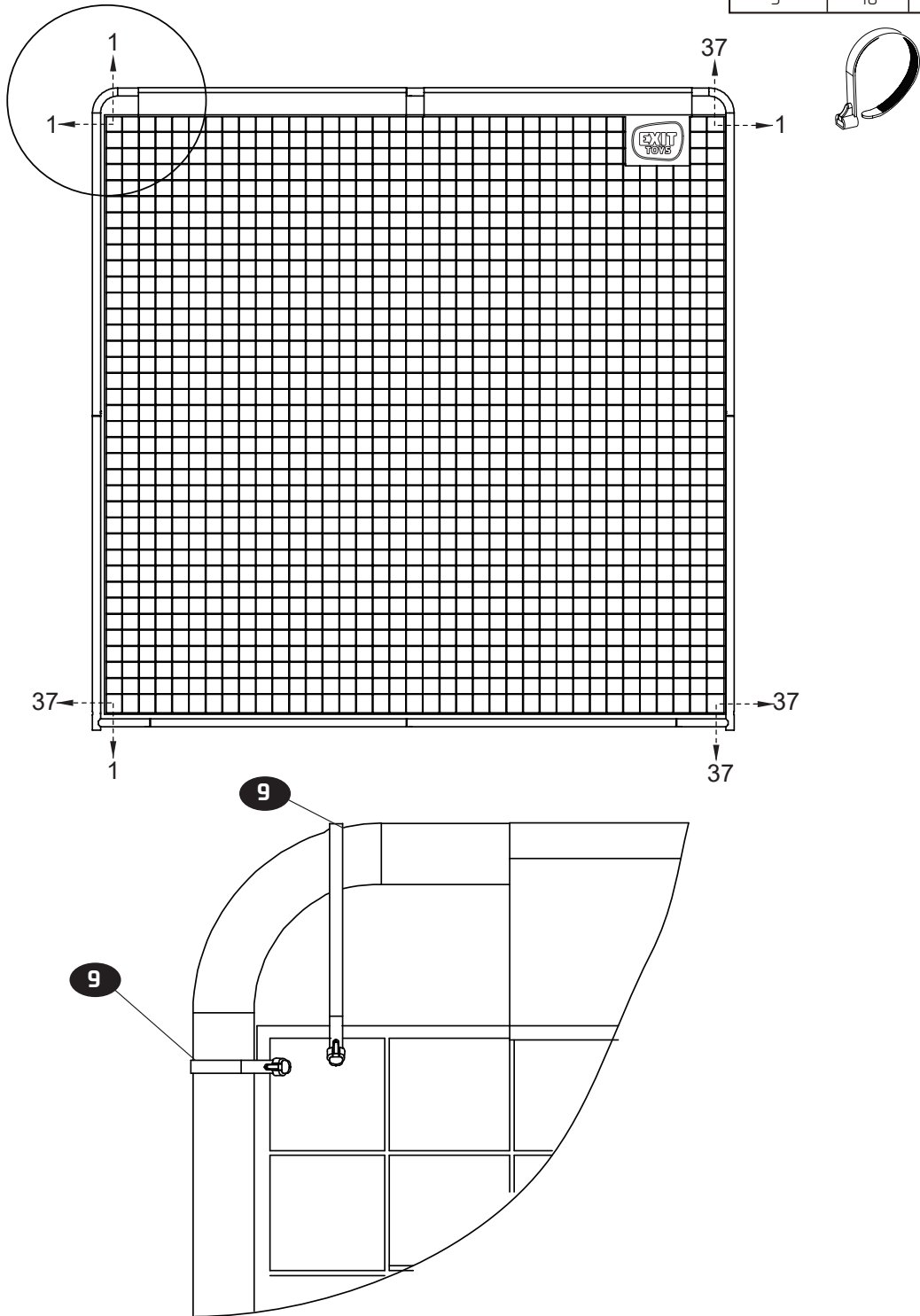


Step 1 / Schritt 1 / Stap 1 / Étape 1 / Trin 1



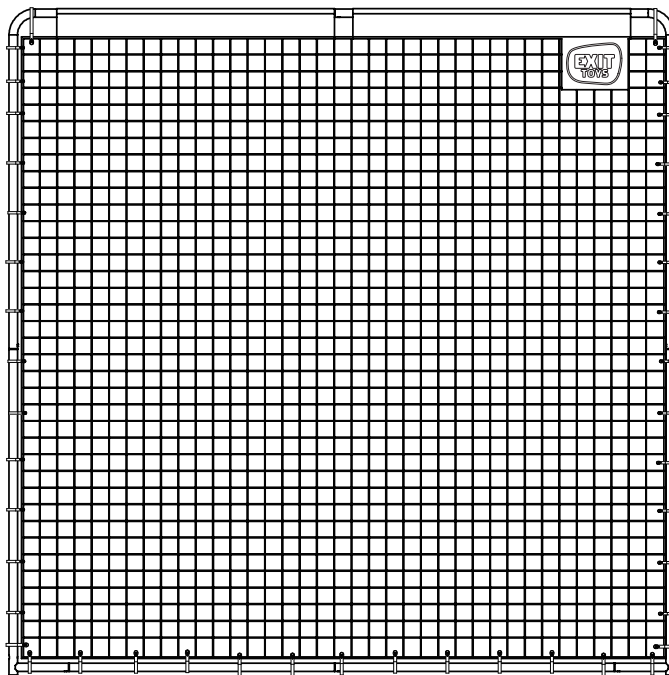
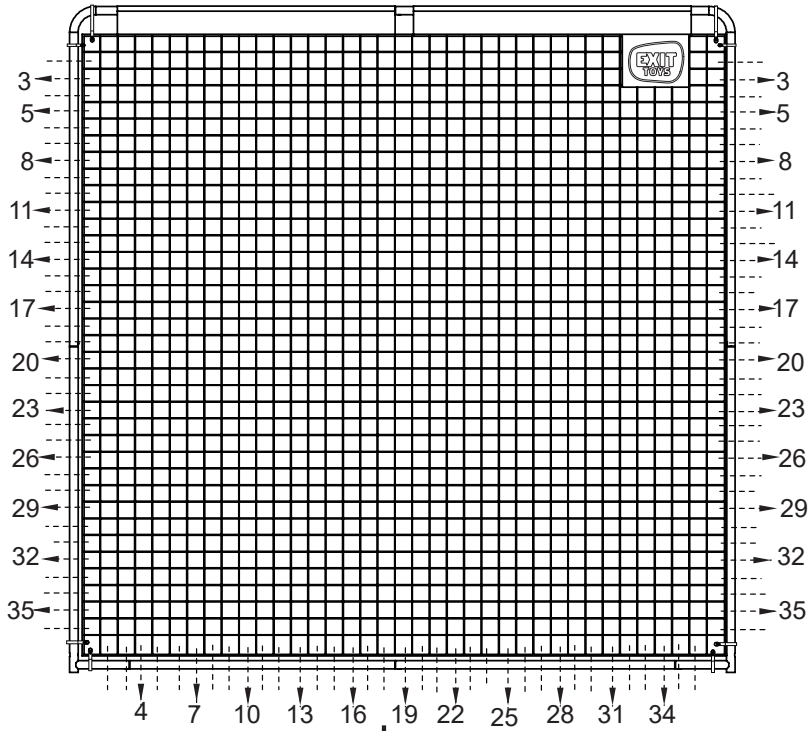
6

Part.Nr.	net 600	net 900
9	16	24



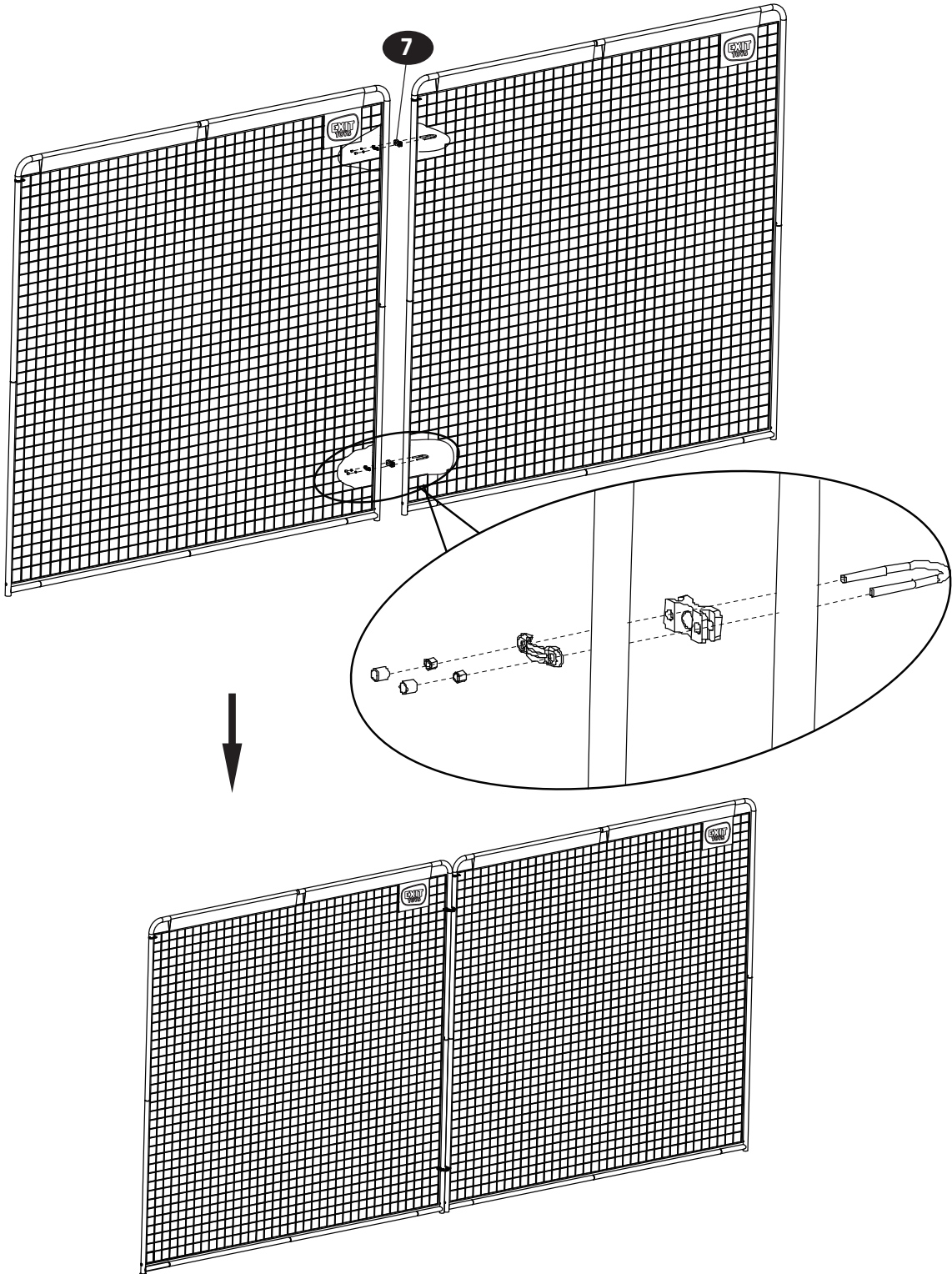


Part.Nr.	net 600	net 900
9	70	105



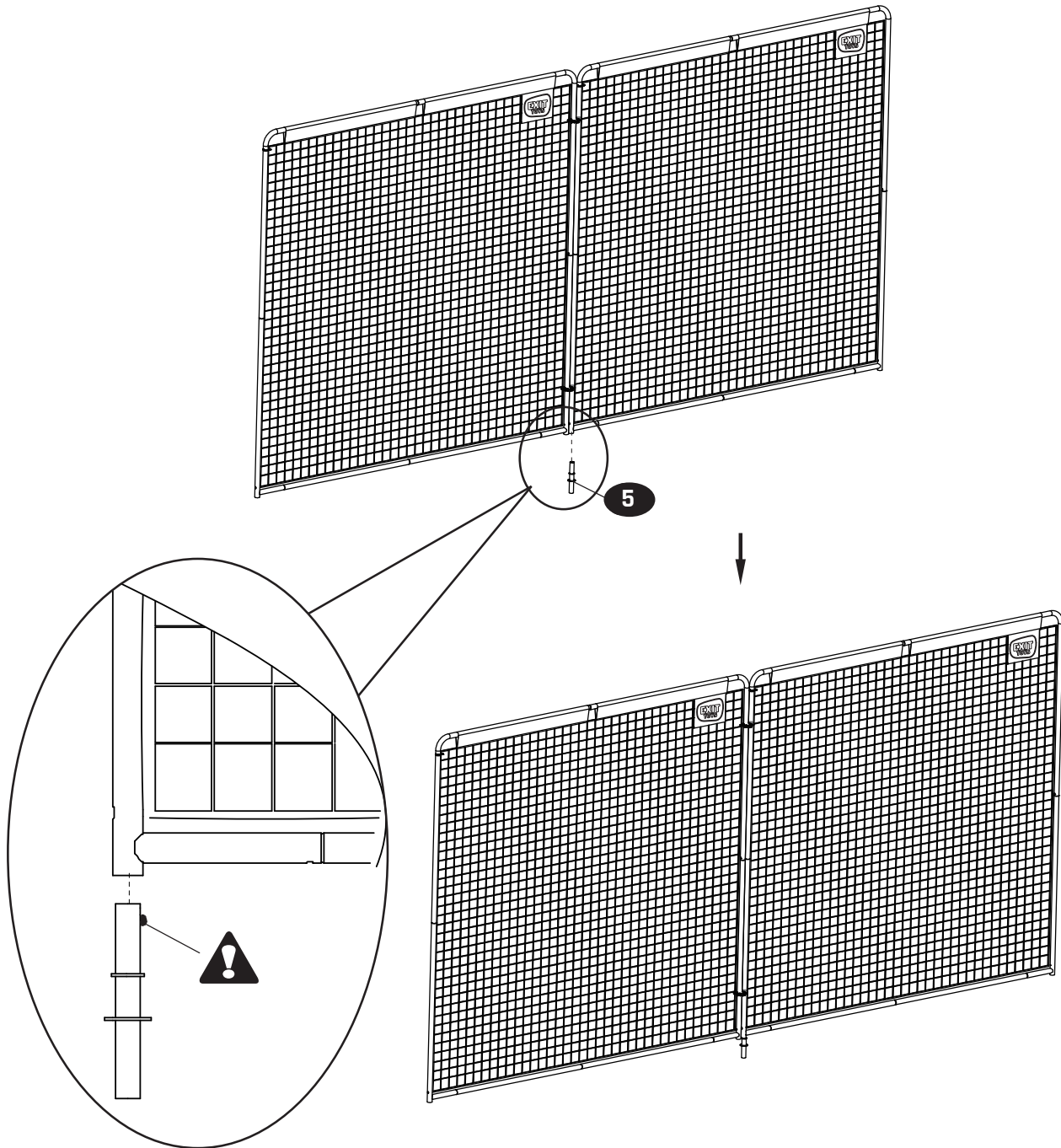
**8**

Part.Nr.	Qty
7	2



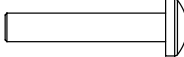
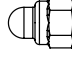

9

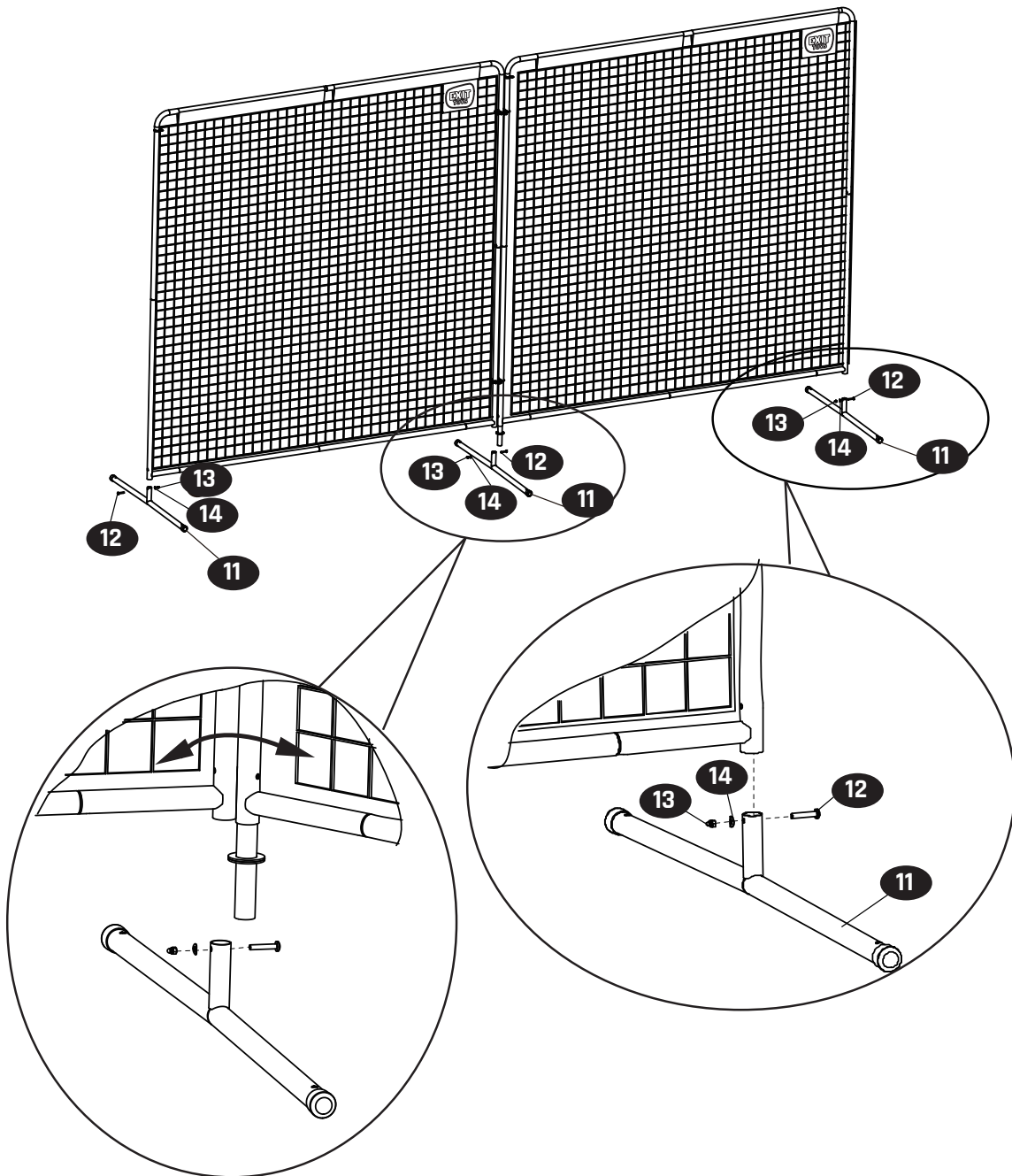
Part.Nr.	Qty
5	1



**10**

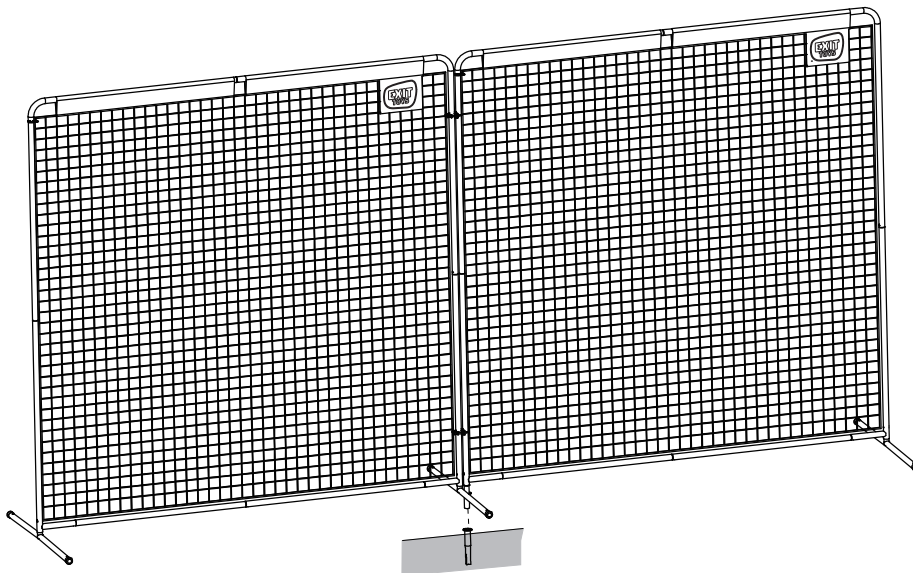
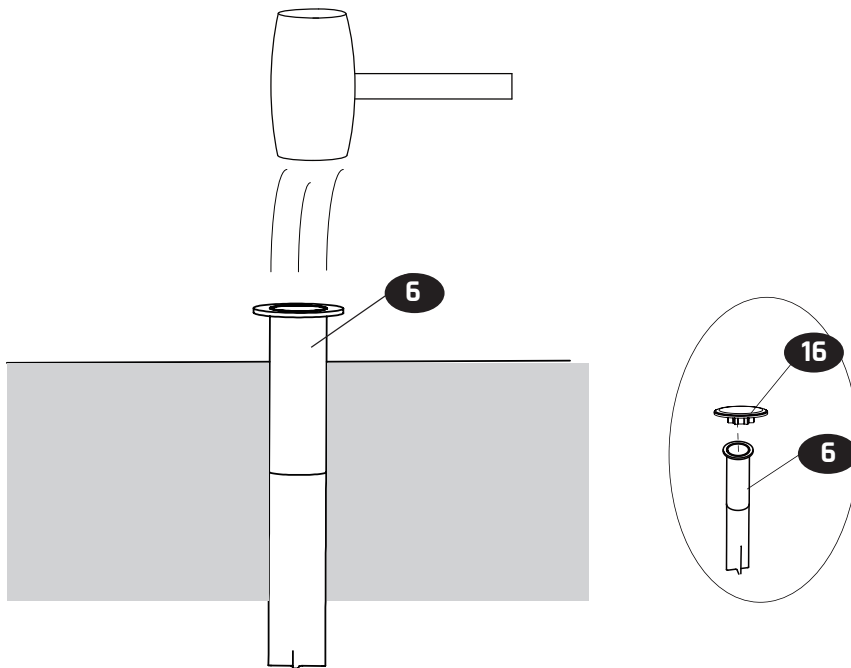
Part.Nr.	Qty
11	3

<b>12</b>		<b>13</b>		<b>14</b>		
	M8x45	<b>3X</b>	M8	<b>3X</b>	M8	<b>3X</b>

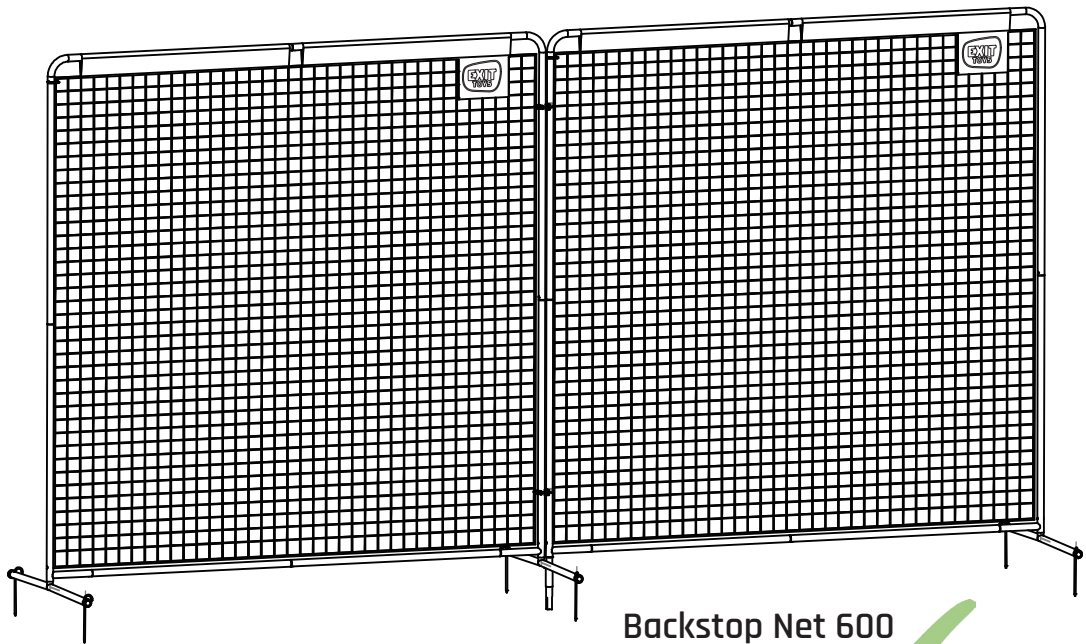
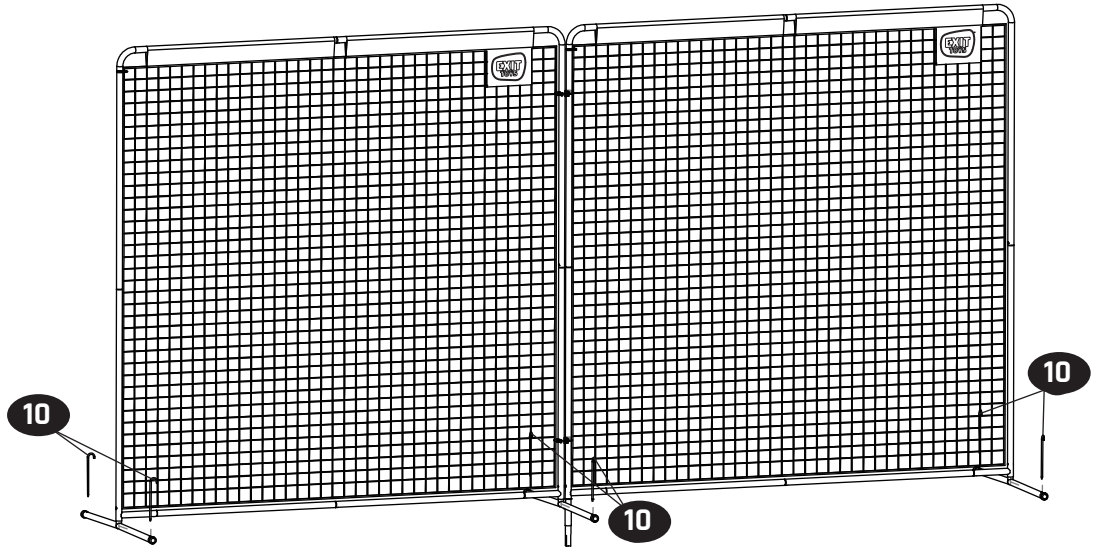


**11**

Part.Nr.	Qty
6	1



**12**

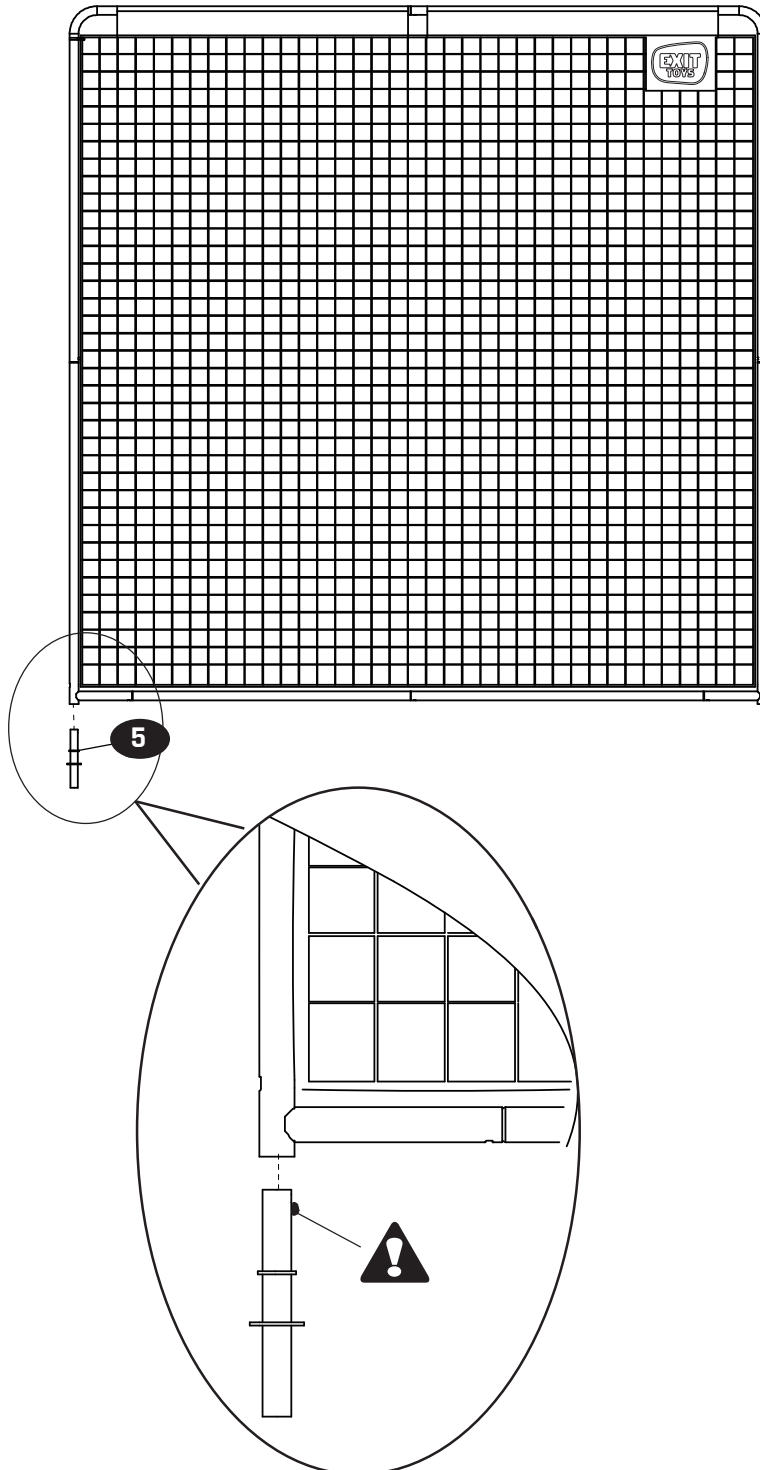


Backstop Net 600



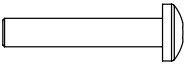
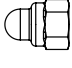

**13**

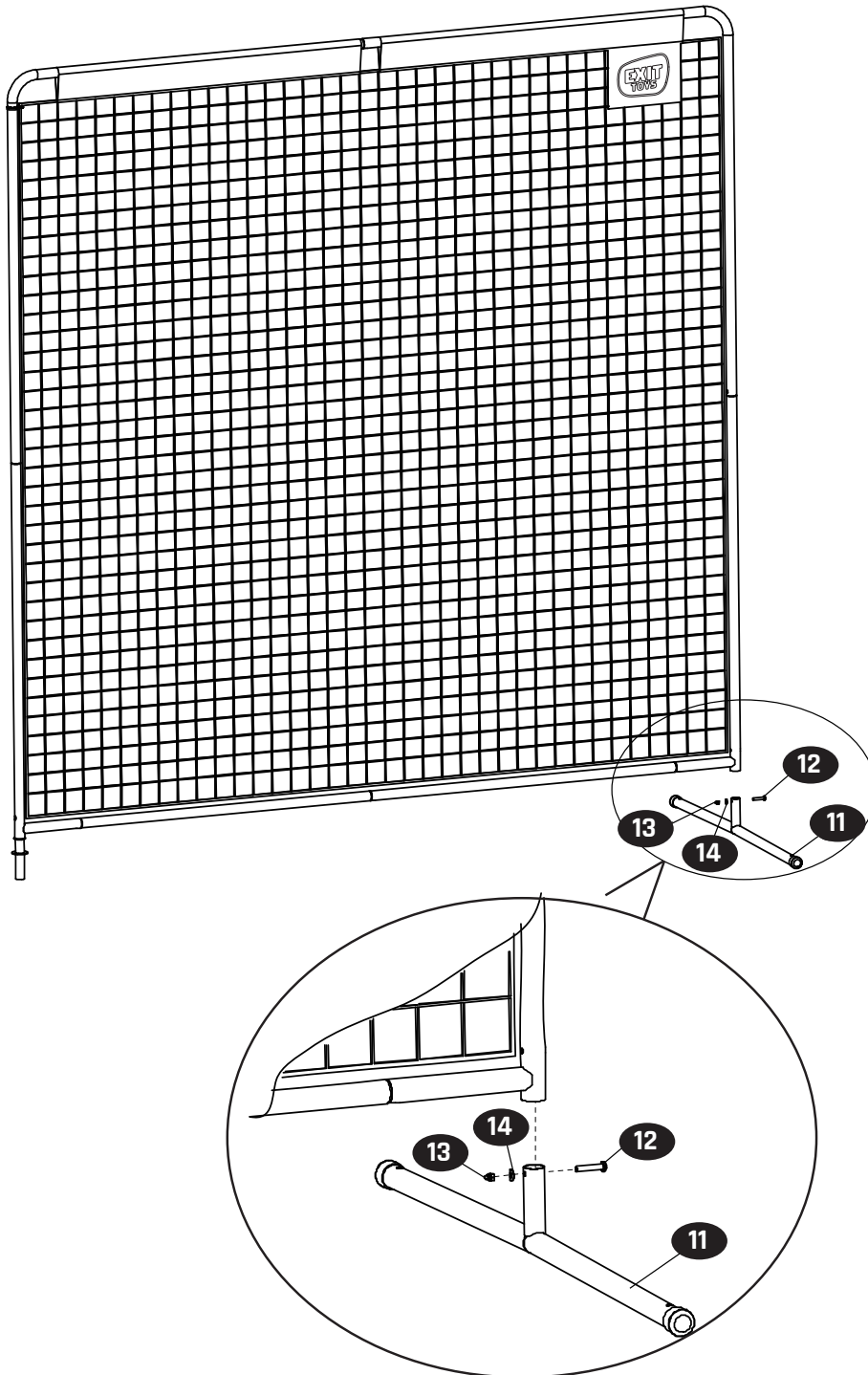
Part.Nr.	Qty
5	1



**14**

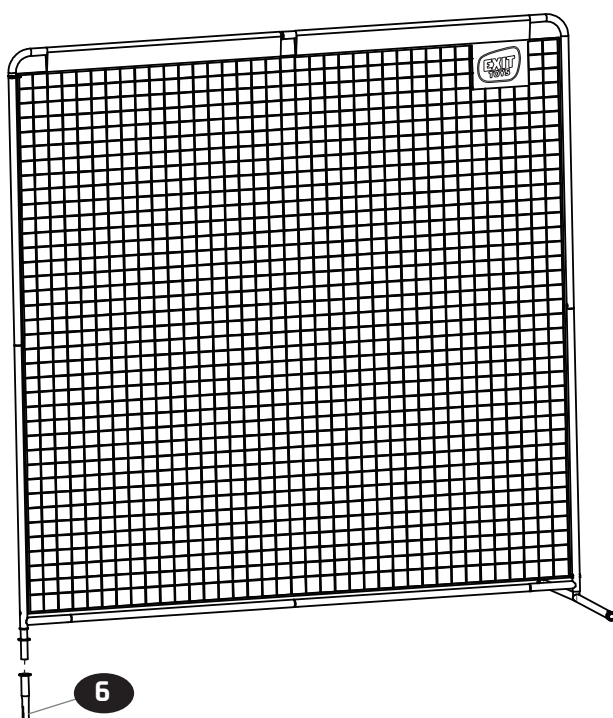
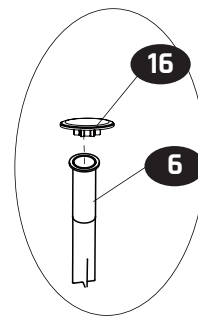
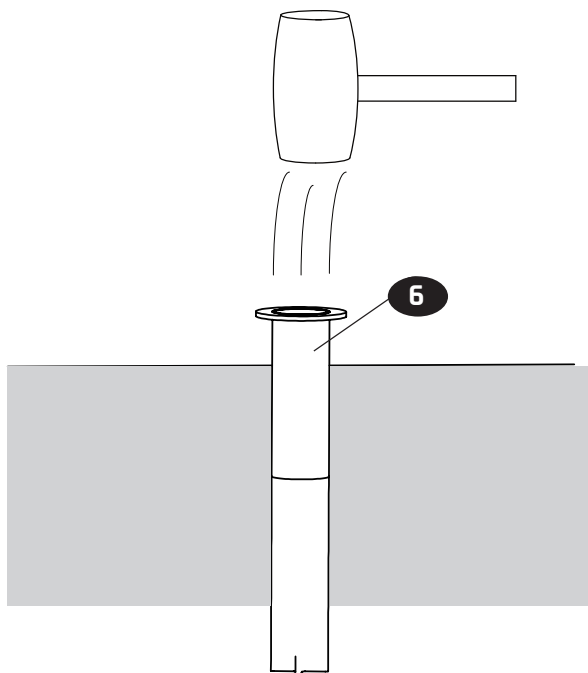
Part.Nr.	Qty
11	1

<b>12</b>		<b>13</b>		<b>14</b>		
	M8x45	<b>1X</b>	M8	<b>1X</b>	M8	<b>1X</b>

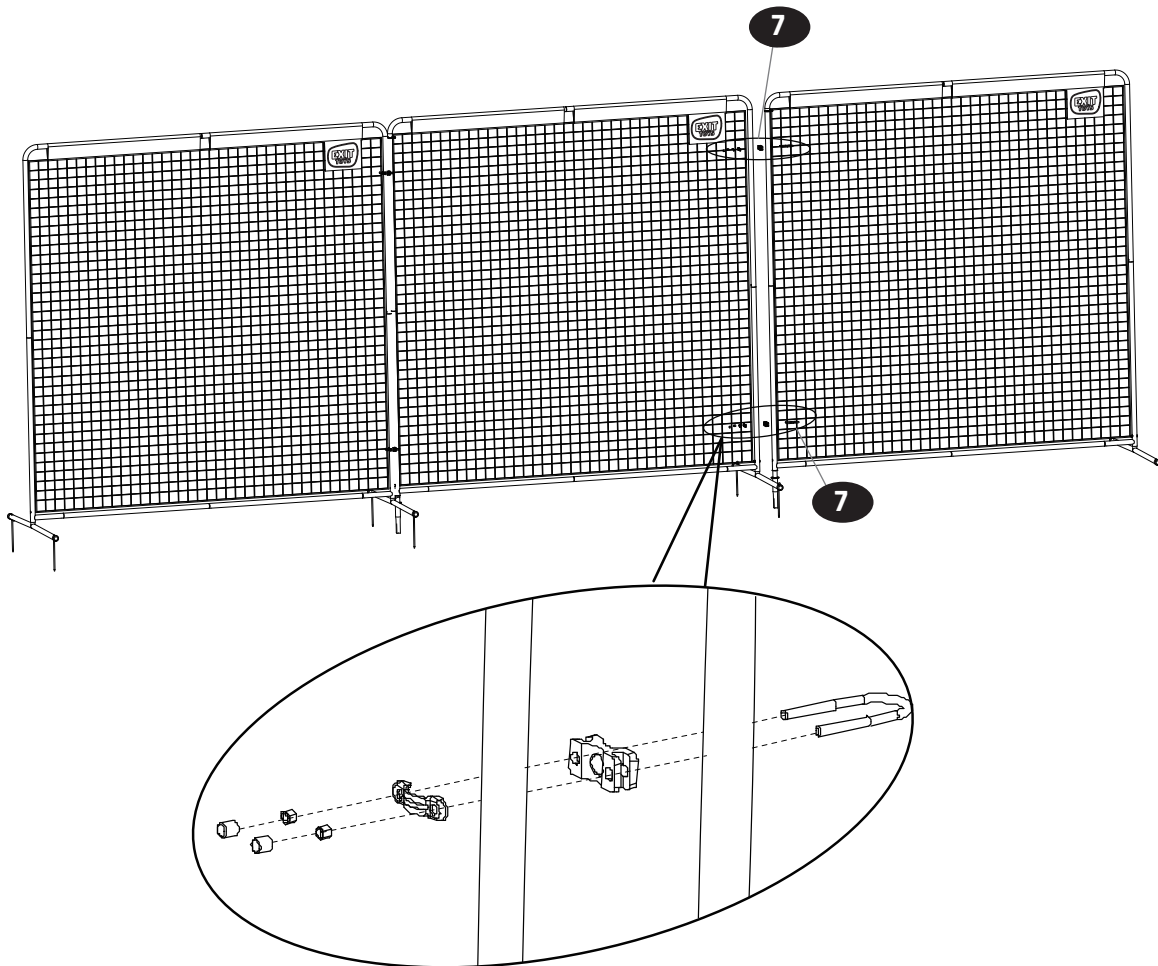


**15**

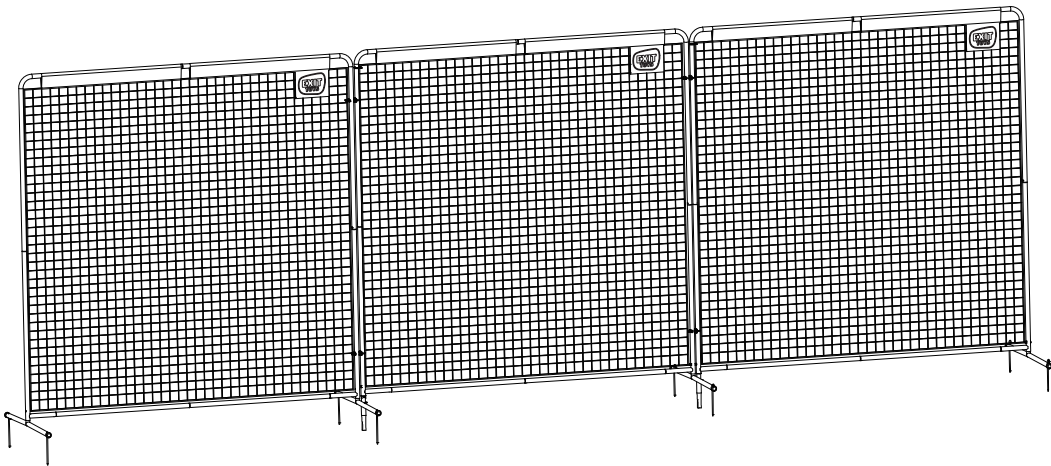
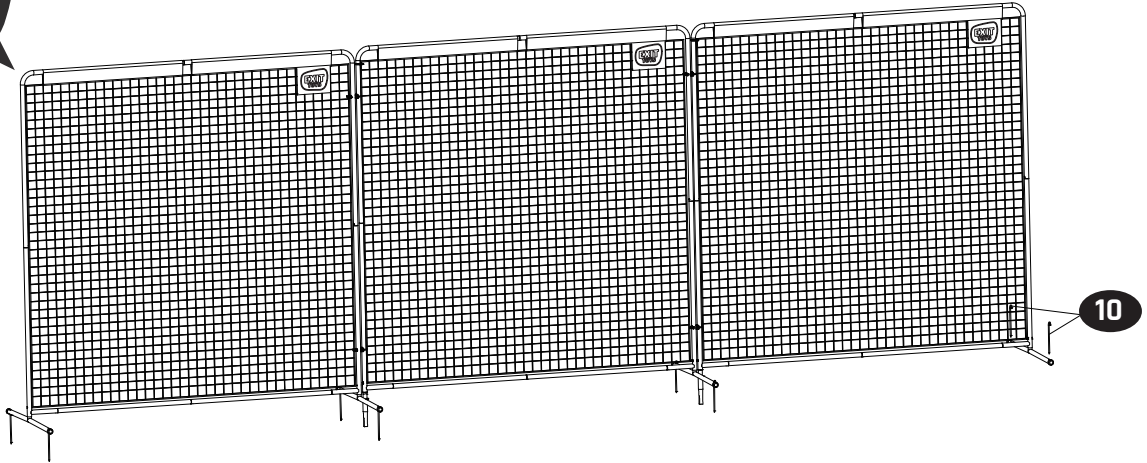
Part.Nr.	Qty
6	1



Part.Nr.	Qty
7	2



17



Backstop Net 900





[www.exittoys.com](http://www.exittoys.com)



**Contact Information:**

Dutch Toys Group B.V.  
Edisonstraat 83  
7006 RB Doetinchem, The Netherlands

[info@exittoys.com](mailto:info@exittoys.com)  
[www.exittoys.com](http://www.exittoys.com)

EXIT Toys is part of:

**SIMBA · DICKIE · GROUP**

EXIT Toys is a registered trade mark of Dutch Toys Group